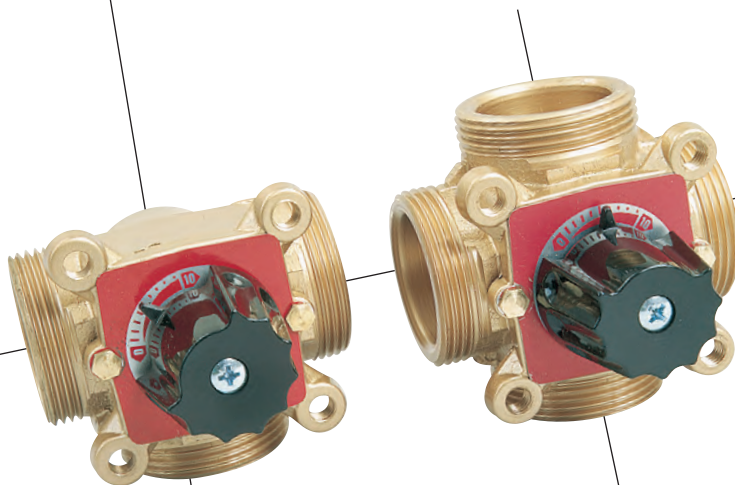
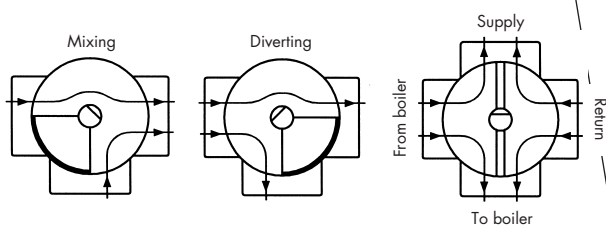


TERMOMIX COMPACT MIXING VALVES DA AND CA



TECHNICAL DATA

Max. operating temperature	110°C
Max. operating pressure	0,6 MPa (6 bar)
Angle of rotation	90°
Torque	0,2 Nm for 3-way valves 0,1 Nm for 4-way valves
Valve body	Brass
Slide	Brass
Cover	Brass
Spindle	Brass
Spindle sealing	Two O-rings, EPDM
Motorizing	Suitable for all valve motors



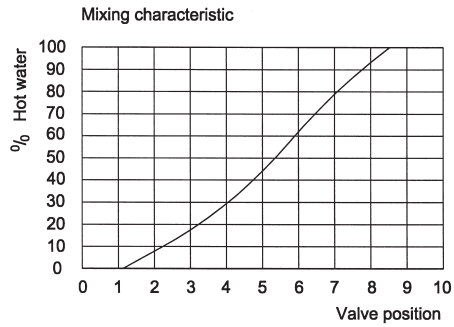
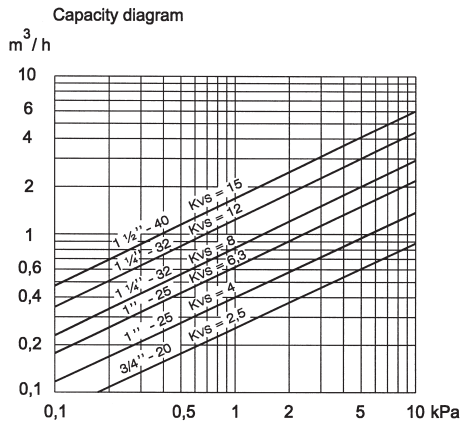
LK ACASO AB
Box 634
SE-521 21 Falköping
Tel: +46 515 107 50
Fax: +46 515 590 30

E-mail: info@lkacaso.se
Internet: www.lkacaso.se



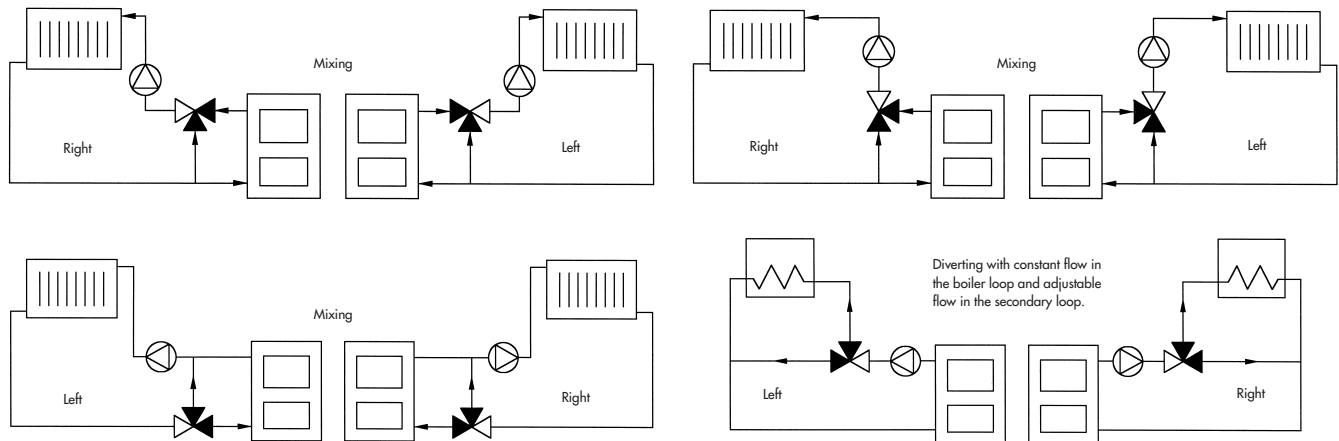
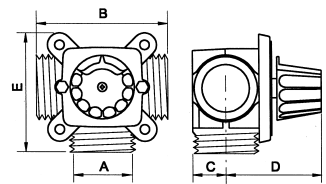
LK Acaso

TERMOMIX COMPACT MIXING VALVES DA AND CA



TERMOMIX DA 3-WAY MIXING VALVES

Order No.	Type	Kvs	A mm	B mm	C mm	D mm	E mm	Weight kg
3520	D 20 A	2,5	20 - G 3/4"	80	21	61	74	0,70
3525-4	D 25 A	4	25 - G 1"	80	21	61	74	0,70
3525-6,3	D 25 A	6,3	25 - G 1"	80	21	61	74	0,70
3532-8	D 32 A	8	32 - G 1 1/4"	82	21	62	75	0,75
3532-12	D 32 A	12	32 - G 1 1/4"	82	21	62	75	0,75
3540	D 40 A	15	40 - G 1 1/2"	84	25	65	75	0,85



TERMOMIX CA 4-WAY MIXING VALVES

Order No.	Type	Kvs	A mm	B mm	C mm	D mm	E mm	Weight kg
3620	C 20 A	2,5	20 - G 3/4"	80	21	61	80	0,80
3625-4	C 25 A	4	25 - G 1"	80	21	61	80	0,80
3625-6,3	C 25 A	6,3	25 - G 1"	80	21	61	80	0,80
3632-8	C 32 A	8	32 - G 1 1/4"	82	21	62	82	0,85
3632-12	C 32 A	12	32 - G 1 1/4"	82	21	62	82	0,85
3640	C 40 A	15	40 - G 1 1/2"	84	25	65	84	0,90

